



ZOOMERANG™ SLIDE

Assembly & Installation Instructions



**IMPORTANT
THESE INSTRUCTIONS
MUST REMAIN WITH
THE SLIDE OWNER!**

***FOR INSTALLATION &
USE ON RESIDENTIAL
INGROUND POOLS ONLY!***

**3050 S. ALVERNON WAY • TUCSON, AZ 85713
520.790.7040 • 800.737.5386 • FAX 520.790.7127**

inter-fab.com

TABLE OF CONTENTS:

Intended Use Instructions2

Water Safety Envelope.....3

Slide Placement Diagram & Slide Footprint Diagram4

Slide Components5

Step 1: Flume Assembly6

Step 2: Ladder & Handrail Assembly to Flume7

Step 3: Slide Anchoring; Concrete Deck.....8

Step 4: Water Supply Hook-up.....9

Care & Maintenance10

Paver Kit Information.....11

Hardware Kit Information.....12

Exploded View of Zoomerang Slide.....13

Parts List (corresponds with exploded view).....14

Inter-Fab Inc. Limited Warranty.....15

INTENDED USE INSTRUCTIONS

1. Everyone who uses this slide must know, understand and follow these instructions
2. The ANSI/NSPI-4 2007 standard for above ground pools prohibits the use of slides or diving boards on above ground pools.
3. **This Slide is designed for residential inground pool use ONLY. This slide may not be used on any above ground pool. Such use of this slide may result in serious injury or death.**
4. This slide should never be installed on above ground pools, ponds, floating docks or platforms, boat docks or houseboats or any natural body of water.
5. This slide should never be installed on any commercial, public or semi-public pool.
6. Be familiar with the shape and depth of the pool before you slide. This slide should only be used with the proper water safety envelope, as described in Diagrams A, B & C on page 3 and in accordance with the slide positioning instructions, as described in Diagrams D and E on page 4.
7. Because the slide may only be used in water 3'-6" deep or greater, all slide users must be able to swim in deep water.
8. Weight limit for this slide is 200 pounds, no slider weighing more than 200 pounds may use this slide.
9. The surface of the slide is very slippery when wet; **USE CAUTION** when entering the slide and when transitioning from standing to sitting.
10. Slide in a feet first sitting position **ONLY**.
11. **IMPORTANT: sliding headfirst is prohibited:** serious spinal injury resulting in paralysis or death can result.
12. Maintain adult supervision at all times.
13. Only one person at a time is allowed on the slide; this includes the ladder.
14. Be sure the water delivery system is on and lubricating the slide prior to use.
15. Collision with another swimmer or a diver can result in serious injury or death for one or both persons: Before sliding, always make sure that the path in front of the slide is free from any (including submerged) obstructions including other people or objects in the pool such as rafts, inner tubes etc. When a diving board is also present, make sure you do not use the slide while someone is on or using a diving board. Take turns.
16. No roughhousing or horseplay should be allowed on the slide at any time.
17. Do not stand, jump or dive from any part of the slide.
18. Do not slide on objects such as rafts or inner tubes. doing so greatly increases your risk of injury.
19. Do not slide through or at objects such as rafts or inner tubes, doing so greatly increases your risk of injury.
20. Do not use this slide if physically impaired or handicapped without your doctor's permission.
21. Do not use this slide with a history of heart conditions, seizures, back problems, fainting or fear of heights.
22. Do NOT use this slide if you are pregnant.
23. Do not drink alcohol and use this slide.
24. Don't take chances, inspect the slide at least once a year. Do not use the slide if any part becomes loose, damaged, weakened or broken. If necessary, before using the slide again, have it inspected and repaired by a competent professional familiar with pool slides.

WARNING: SERIOUS INJURY OR DEATH CAN RESULT FROM THE IMPROPER INSTALLATION OR USE OF THIS SLIDE.



When installed according to these instructions, this slide conforms to Consumer Product Safety Standard Guidelines.

ZOOMERANG

WATER SAFETY ENVELOPE:

A minimum water depth of three feet (3') under the exit of the slide which increases to a depth of three feet six inches (3'6") at point A which is located four feet six inches (4'6") from the back wall of the pool. A minimum depth of three feet six inches (3'6") must be maintained at a distance of three feet six inches (3'6") along the centerline of the slide from point A. The above described water depth profile shall extend a minimum of three feet (3') on either side of the centerline of the slide.

(See Diagrams A, B & C)

DIAGRAM A
(NOT TO SCALE)

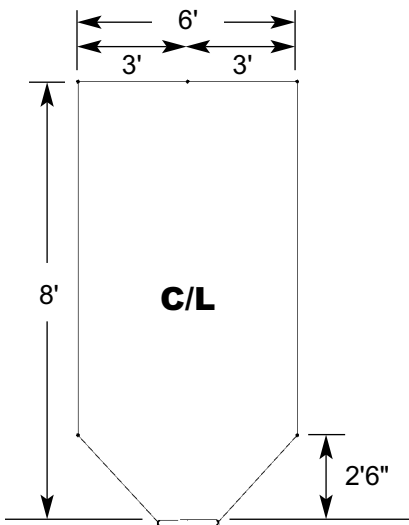
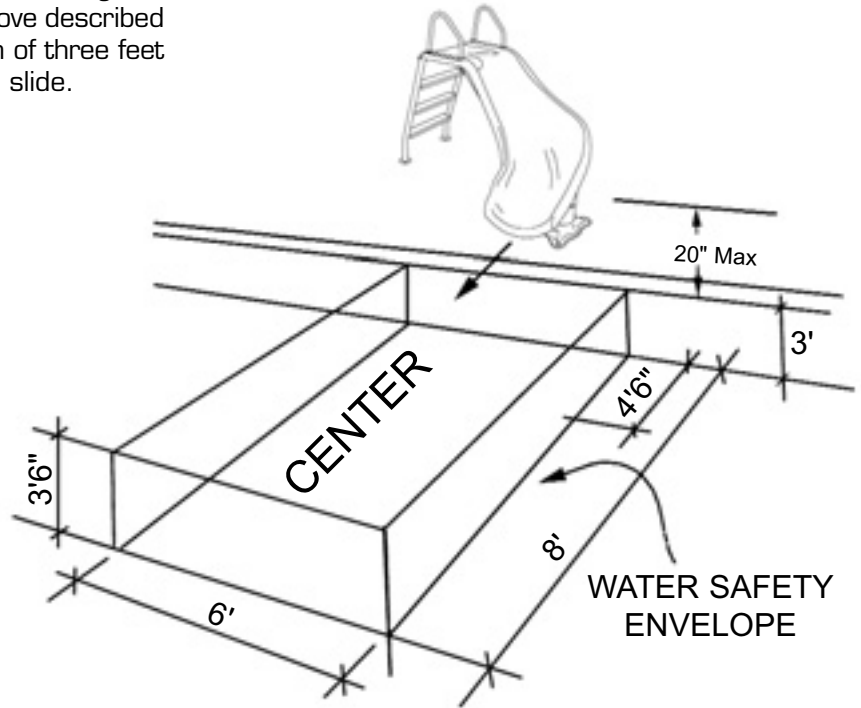
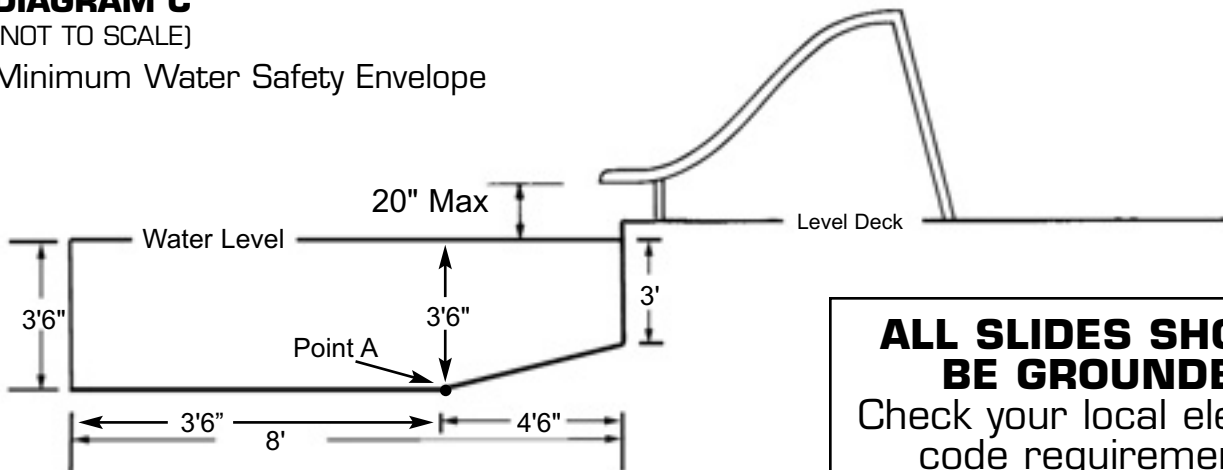


DIAGRAM B
(NOT TO SCALE)
Minimum Slide
Clearance Area

DIAGRAM C
(NOT TO SCALE)
Minimum Water Safety Envelope



ALL SLIDES SHOULD BE GROUNDED
Check your local electrical code requirements.

SLIDE PLACEMENT DIAGRAM & FOOTPRINT DIAGRAM
Zoomerang Slide - Right Turn

DIAGRAM D
 (NOT TO SCALE)

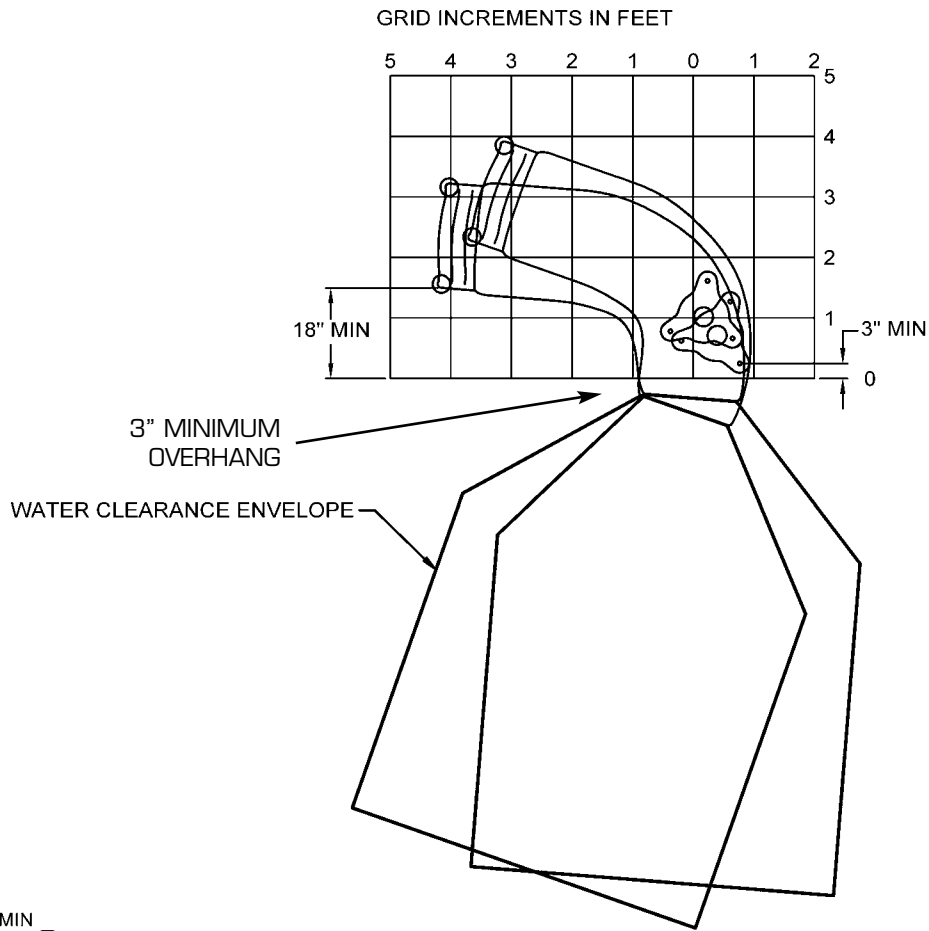
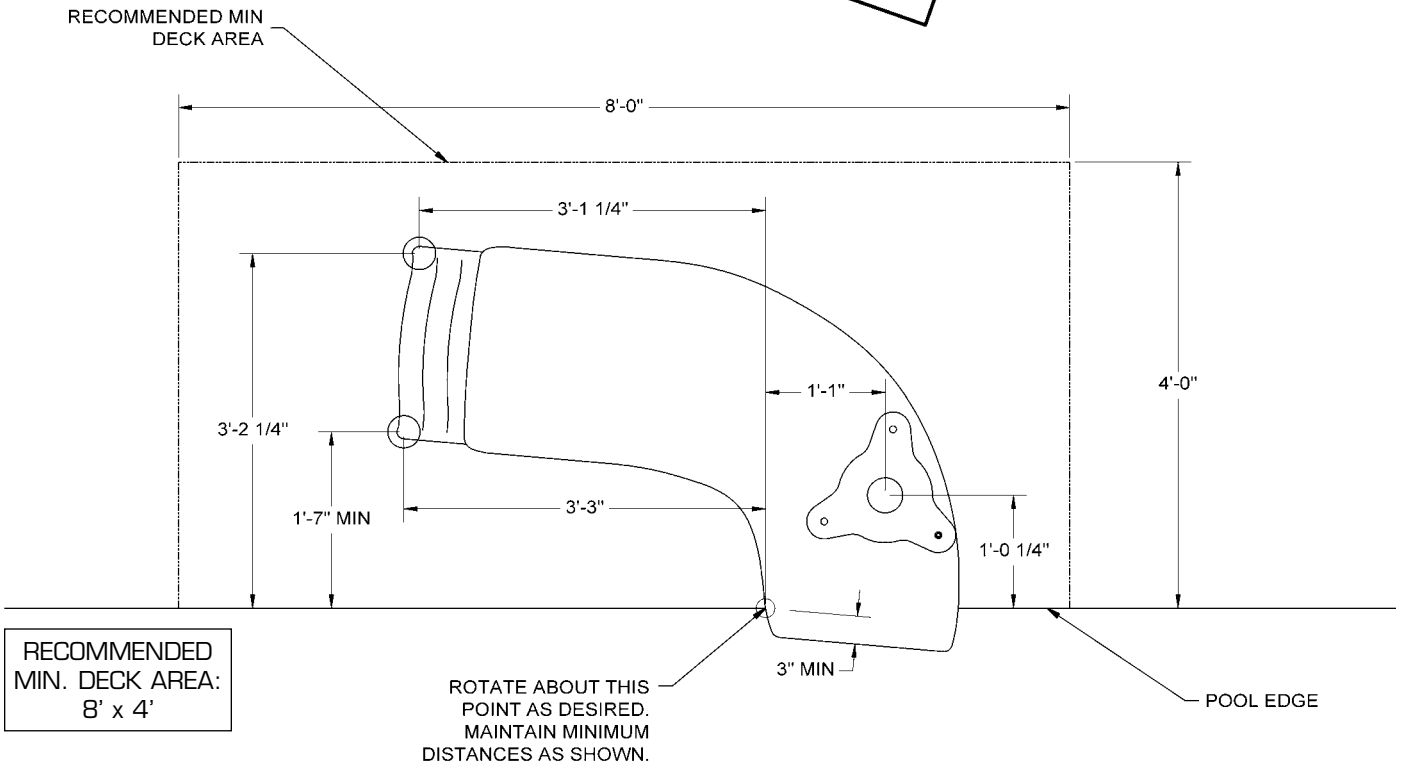


DIAGRAM E
 (NOT TO SCALE)

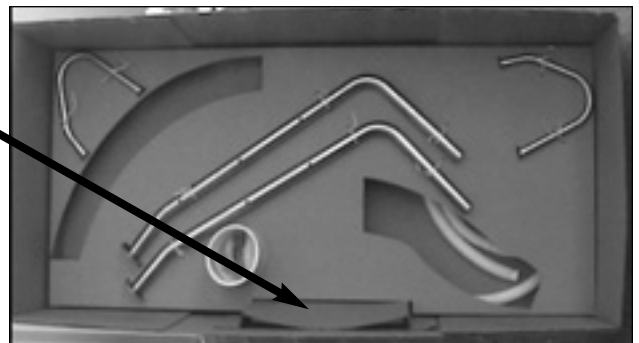


SLIDE COMPONENTS:

- Flume (1)
- Flume support base (1)
- Ladder rails (2)
- Plumbing Kit (Hose, pool adapter fittings)
- Handrails (2)
- Ladder Escutcheons (2)
- Hardware packs (2)
 - **Zoom HDW#1** - Ladder assembly, ladder to flume, handrails to flume and ladder, & ladder to concrete deck (concrete wedge anchors provided)
 - **Zoom HDW#2** - Base assembly & base to concrete deck (concrete wedge anchors provided)



**When unpacking box, PLEASE NOTE:
treads are located in stapled side packet.**



ASSEMBLY AND INSTALLATION INSTRUCTIONS

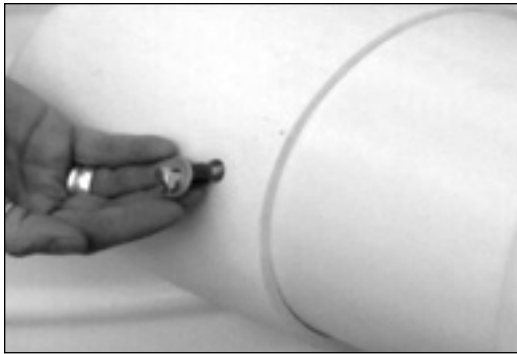
STEP ONE: Flume Assembly (Zoom HDW#1)

Tools

Hammer, drill or hammer drill (for masonry deck), 3/8" masonry drill bit, socket wrench with 7/16" and 9/16" sockets, 7/16" open-end wrench, 1/2" open-end wrench, pencil or marker.

Support Base to Flume:

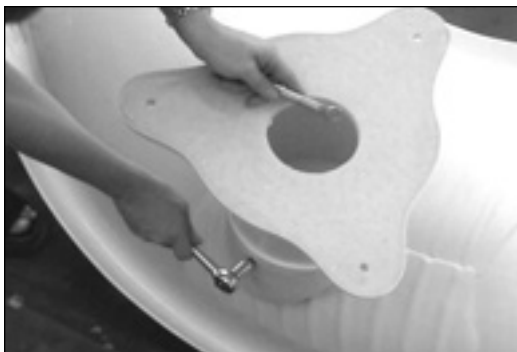
Flatten product box to use as a protective work platform. This prevents possible scratching of the acrylic slide parts during assembly.



Align pre-drilled holes in the flume support pipe with those of the receptor on the underside of the flume.



Using the 1-1/4" long bolt and corresponding washer, insert the nylon bushing onto bolt. Use a hammer to gently tap the bolt assembly into the pipe/receptor.



Secure on the inside of the pipe with 1/4" nut and corresponding washer using a 7/16" wrench. Repeat for all three holes.

STEP TWO: Ladder & Handrail Assembly to Flume (Zoom HDW#1)

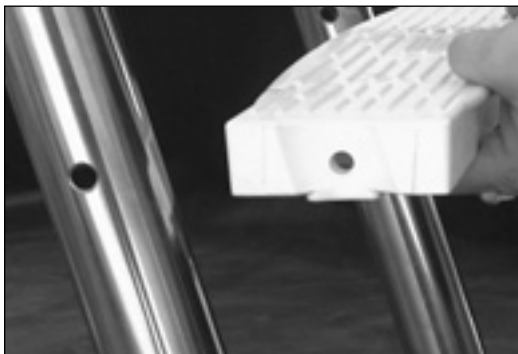
***TIP:** Use provided anti-seize lubricant on all bolts!



Slide ladder escutcheon down ladder rail before attaching the ladder treads. The escutcheon covers the deck mounting flange and hardware at the base of the ladder.



Attach vinyl end caps over the open end of the ladder rail.



Install the ladder treads using the special curved head bolts inserted from the outer edge of the ladder rail through the underside of the tread. Use 1/2" open-end wrench to secure nut and washer. **Important Note:** Before tightening hardware, check tread alignment with rail angle to ensure proper positioning. Tread groove should match the angle of the raised rail (illustrated) and be parallel to the deck's surface.



Raise flume to an upright position on the attached support base. Align ladder rail with corresponding holes found in the rail groove beneath the seating area of the flume and position the grab rail above. Insert the 3/8" x 3" bolt and washer from the bottom of the ladder rail through the flume into the grab rail. Secure with a 9/16" wrench. Repeat for second handrail. **Important Note:** Handrail must be positioned as illustrated.

STEP THREE: Anchoring to Deck (Zoom HDW#1 and Zoom HDW#2)

3/8" SS Wedge Anchor in Zoom HDW#1 (ladder to deck - qty 4) and Zoom HDW#2 (support base to deck - qty 3)

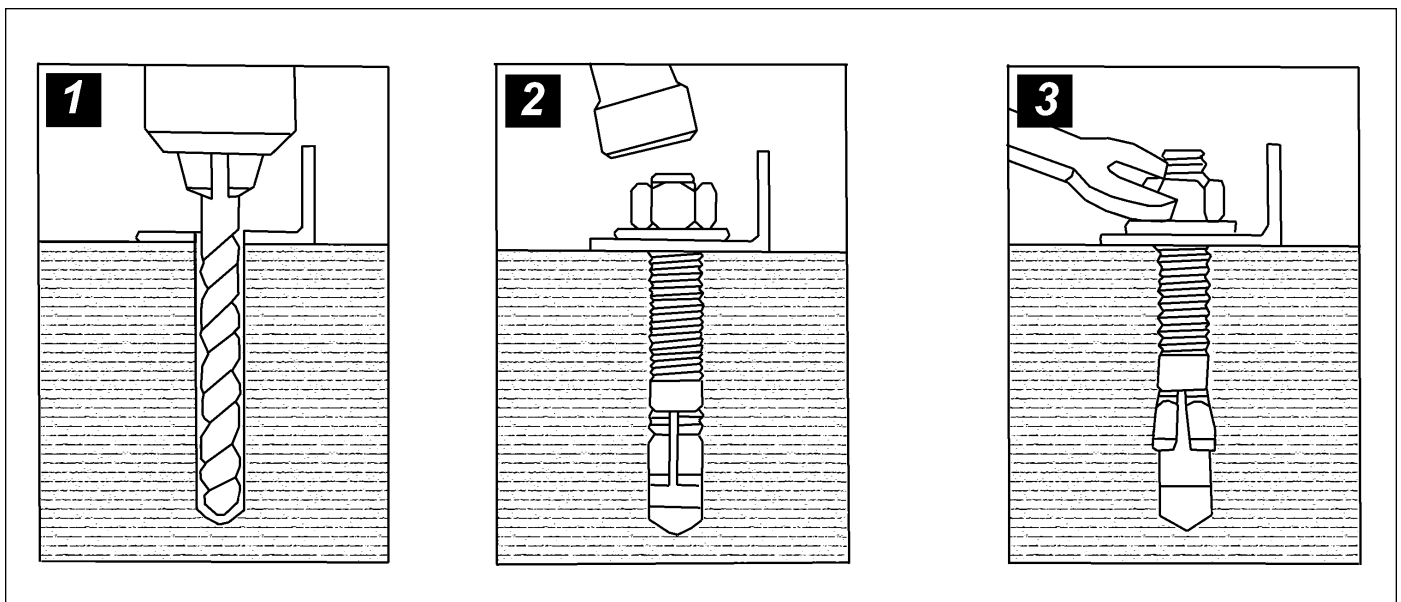
Place slide in desired location ensuring location conforms to the Safety Corridor outlined on page 3. The lip of the flume exit should protrude a minimum of 3" over the pool edge.

Mark the position of the flange holes in the ladder and flume support with a pencil or marker. NOTE: Use of a hammer drill for masonry drilling is recommended. Masonry drills can be rented at most equipment rental companies.

Using a 3/8" masonry bit, drill holes for ladder 2" deep, and for flume support pedestal 1-1/2" deep. It is important to drill the holes as perpendicular to the deck surface as possible. (deck slopes may vary) Clean the dust from holes using a shop vacuum or garden hose at full pressure.

Gently tap the wedge anchors into all drilled holes. Set the slide over the installed wedge anchors and install washer and nuts. Tighten all wedge anchor nuts at this time to 25 ft. lbs. of torque.

Secure vinyl nut caps over exposed threads of the flume support base.



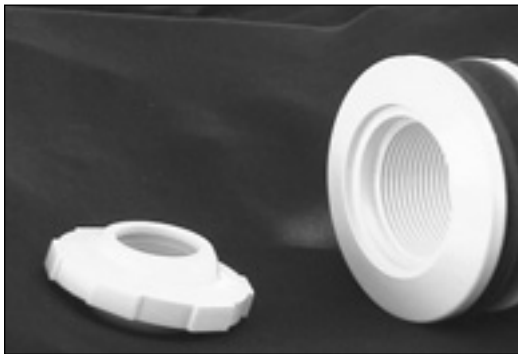
STEP FOUR: *Water Supply Hook Up*

Kit contains: a length of 1-1/4" corrugated hose, (1) two part plastic fitting, and (2) plastic clamps.



Wet one end of the hose and slide onto the fitting on the underside of the flume (illustrated). Secure with plastic clamp by pinching together the interlocking teeth.

Turn off your filtration system before connecting the other end of the hose to your pool return fitting.



Remove the collar that secures the directional "eyeball" fitting in your pool return, located inside your pool (example illustrated). There are many variations of return fittings, however, the two adapter fittings provided should fit your pool. **Hand Tighten Only!** You want to be able to remove the hose fitting from your wall return when your slide is not in use.



Slide the hose over the lipped flange of the provided adapter fitting until the lip locks into the corrugated hose. Attach the plastic clamp, **do not over tighten!** You should be able to swivel the adapter fitting inside the corrugated hose. This allows for hand threading the adapter fitting to the return and the removal of the adapter fitting when the slide is not in use.



Turn on your filtration system and your Zoomerang™ is ready for action!

SLIDE CARE & MAINTENANCE: **ACRYLIC & POLYETHYLENE COMPONENTS -**

1: General Cleaning

- Use nonabrasive soap and water when possible.
- Review cleaner's label instructions before applying to acrylic surface.
- Avoid harsh chemicals and disinfectants.

You may safely use: *

- Chlorox
- Spic & Span Powder
- Mr. Clean
- Formula 409
- Windex
- Glass Plus
- Calgon Bath Oil Beads

Do not use:

- Lysol Disinfectant Spray
- Dow Disinfectant Bathroom Cleaner
- Pinesol
- Whitecap
- Lestoil

2: Light scratches, abrasions, gloss, etc.

Light abrasions and scratches may be removed and original gloss fully restored using the following materials. *

- Novus Plastic Polish (Novus, Inc.)
- Mirror Glaze Professional Formula #17 (Mirror Bright Polish Co., Irvine, CA)
- Permatex Plastic Cleaner #403D (Permatex Co., Kansas City, KS)
- "J-Wax" or "Kit" Automotive Cleaner/Waxes (S.C. Johnson & Son)
- DuPont or Turtlewax "White Polish" automotive polishing compound.

Light Scratches: Very light scratches, scuff marks and haze can be hand polished with Permatex Plastic Cleaner or Gel-Glass. Follow the manufacturer's guidelines. Clean cotton cloth works best for applying the polish and buffing. *

***These suggestions and data based on information we believe to be reliable, from our acrylic manufacturer. They are offered in good faith, but without guarantee, as conditions and methods of use and procedures are beyond our control.**

ZOOMERANG PAVER KIT INFO

When installing an Inter-Fab Zoomerang™ slide using a paver kit, you must ensure that all standard installation requirements are met. The slide must be compatible with the type of pool on the intended installation and all ANSI/NSPI-2003 requirements must be met. Refer to installation manual.

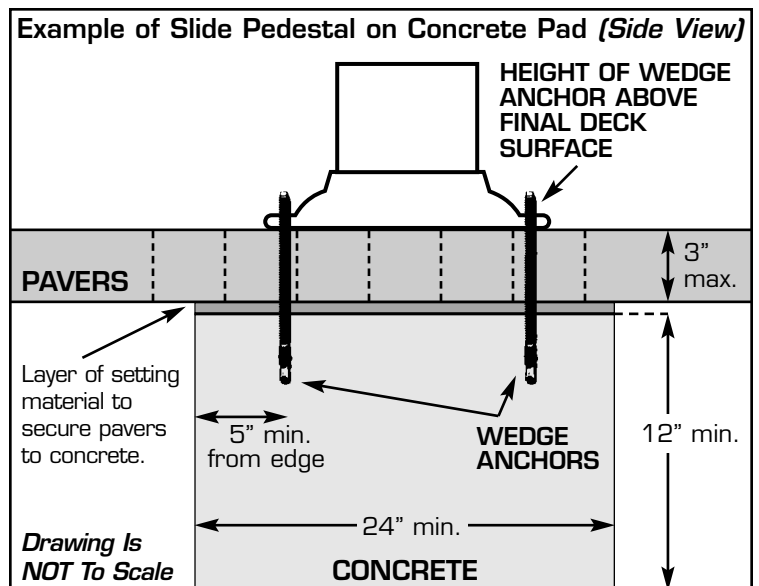
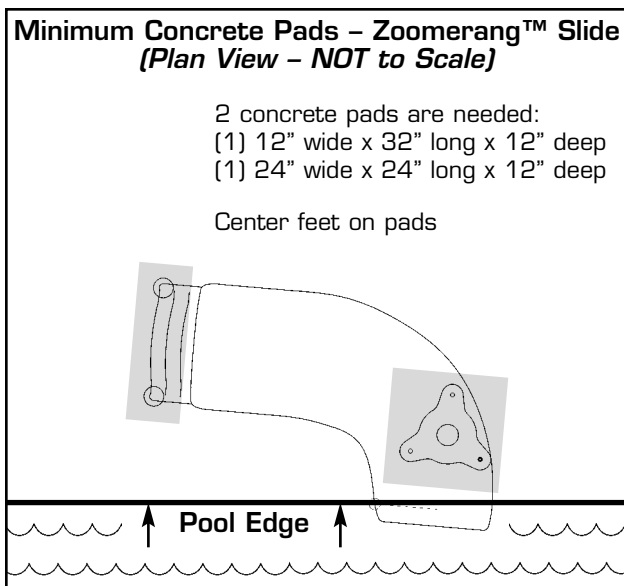
Figure 1 illustrates an example of the minimum concrete pads recommended for the Zoomerang™ slide. Specific slide position and concrete pad orientations may vary. Make sure to allow for water stub up location near the ladder section on the Zoomerang™ slide when pouring the concrete pad for the ladder section. *In order to ensure proper placement, you will need to set the slide up first to determine where the concrete pillars will be located.*

Figure 2 shows a side view illustration of the Zoomerang™ slide foot pedestal and wedge anchors used in a paver installation. Pavers can be a maximum of 3" thick. Pavers must be mechanically attached to the concrete pad using a setting material (such as mortar or thinset for example) that is no thicker than 3/8".

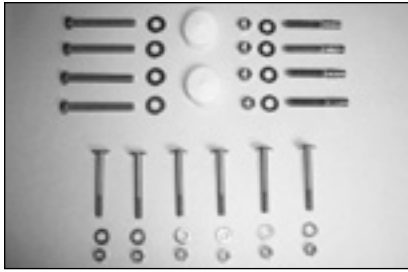
For the ladder attachment, 1" of each 3/8" x 7" wedge anchor (4 ea.) needs to be exposed above the final deck surface. The 3/8" wedge anchors must be drilled to a depth of 6" with 1" of the bolt left remaining above the final deck surface. For the foot pedestal, 1-1/2" of each 3/8" x 7" wedge anchor (3 ea.) needs to be exposed above the final deck surface. The 3/8" x 7" wedge anchors must be drilled to a depth of 5-1/2" with 1-1/2" of the bolt left remaining above the final deck surface. The 3/8" x 7" wedge anchors (7 ea.) replace the 3/8" x 2-3/4" wedge anchors (4) from hardware kit #1 and the 3/8" x 2-3/4" wedge anchors (3) from hardware kit #2. You will need to factor in the thickness of your paver (3" MAX.) and the thickness of your setting material (3/8" MAX.) for your individual installation.

You will need a 3/8" masonry bit for the Zoomerang™ slide.

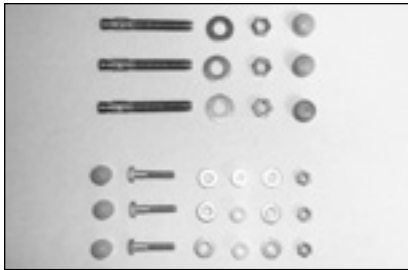
Inter-Fab Inc. will not be responsible for damage to pavers caused by drilling or mechanically attaching to concrete pad. Refer to paver manufacturer's specific installation instructions before beginning.



ZOOMERANG™ SLIDE HARDWARE KITS

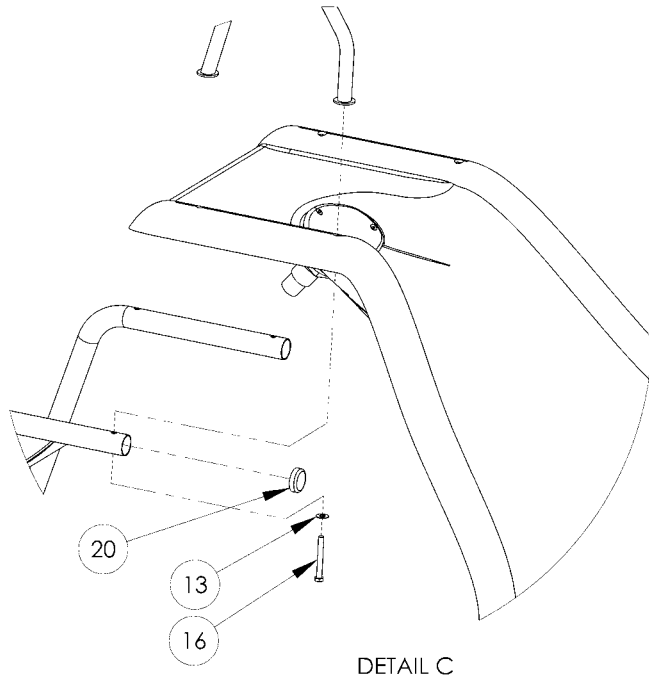


ZM-H1-SS		
QTY	PART NUMBER	COMPONENT DESCRIPTION
6	H-SS 5/16 H NUT	5/16"hex finish nut s.s.
4	H-SS 3/8 FLT WASHER	3/8" x 1" flat washer s.s.
6	H-SS 5/16 F WAS	5/16" SAE flat washer s.s.
6	H-SS 5/16 BOLT	5/16 x 2 3/4" ladder bolt s.s.
4	H-SS 3/8X3 TAP	3/8" x 3" hex head tap bolt s.s.
4	H-SS 3/8 WEDGE	3/8" x 2-3/4" wedge anchor w/nut & washer s.s.
2	H-VINYL NUT CAP	1-5/8" x 1/2" white vinyl cap

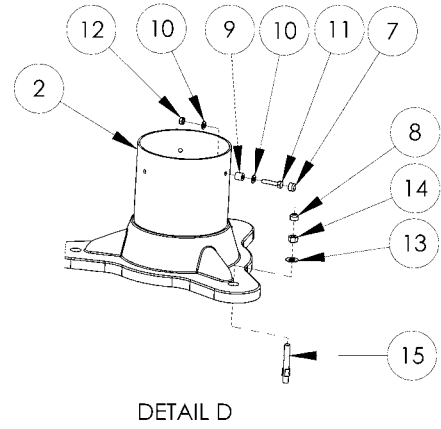


ZM-H2-SS		
QTY	PART NUMBER	COMPONENT DESCRIPTION
3	H-SS 1/4 H C/S	1/4" x 1-1/4" hex head bolt s.s.
3	H-SS 1/4 H NUT	1/4" finish hex nut s.s.
6	H-SS 1/4 FLAT W	1/4" flat washer s.s.
3	H-SS 3/8 WEDGE	3/8" x 2-3/4" wedge anchor w/nut & washer s.s.
3	H-NYLON BUSHING	.500 od x .257 id nylon bushing
3	H-.463 X .310 CAP	gray protective cap
3	H-.562 X 390 CAP	gray protective cap

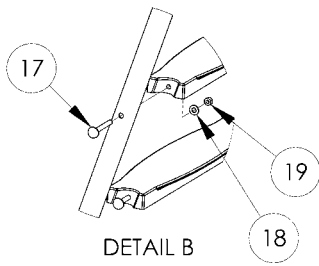
ZOOMERANG™ SLIDE (ZM-CR-SS):



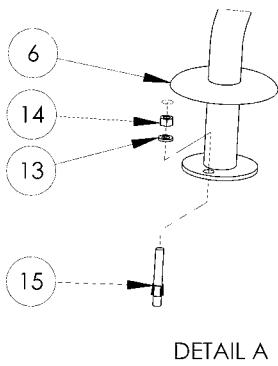
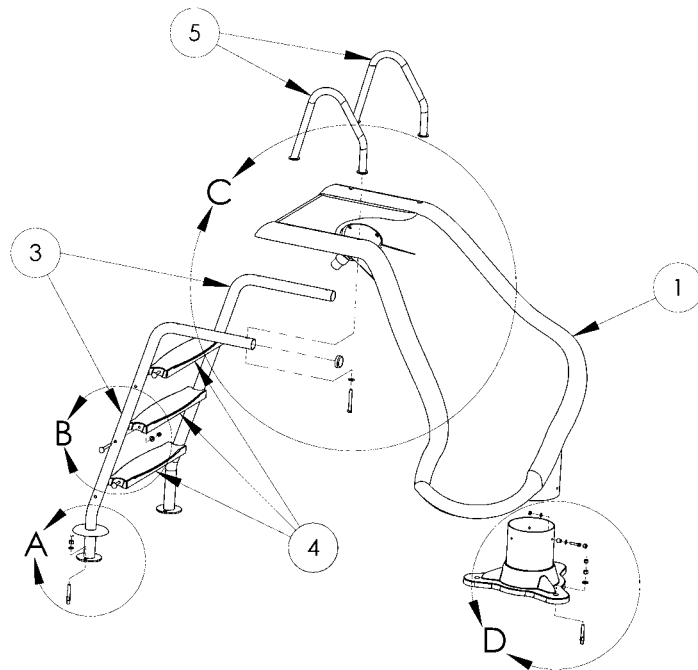
DETAIL C



DETAIL D



DETAIL B



DETAIL A

ZOOMERANG™ SLIDE (ZM-CR-SS):

ALL CHART INFORMATION BELOW CORRESPONDS WITH THE DRAWING ON THE PREVIOUS PAGE.



DRAWING REPRESENTS THE FOLLOWING PART NUMBERS:
ZM-CR-SS

ITEM #	COMPONENT	DESCRIPTION	KITS – QTY. COUNTS		
			ZM-H1-SS	ZM-H2-SS	ZM
1	ZM-R	ZOOMERANG RUNWAY			1
2	ZM-B	FLUME SUPPORT BASE			1
3	ZM-Ladder	ZOOMERANG LADDER			2
4	ZM-T	ZOOMERANG LADDER TREADS			3
5	ZM-HR	ZOOMERANG HANDRAILS			2
6	LADDER ESCUTCHEONS	LADDER ESCUTCHEONS			2
7	H-.463 X .310 CAP	GRAY PROTECTIVE CAP		3	
8	H-.562 X .390 CAP	GRAY PROTECTIVE CAP		3	
9	H-NYLON BUSHING	.500 OD X.257 ID NYLON BUSHING		3	
10	H-SS 1/4 FLAT W	1/4" FLAT WASHER S.S.		6	
11	H-SS 1/4 H C/S	1/4" X 1-1/4" HEX HEAD BOLT S.S.		3	
12	H-SS 1/4 H NUT	1/4" FINISH HEX NUT S.S.		3	
13	H-SS 3/8 FLT WASHER	3/8" X 1" FLAT WASHER S.S.	4		
14	H-SS 3/8 F NUT	3/8" FINISH NUT S.S.		1	
15	H-SS 3/8 WEDGE	3/8" X 2-3/4" WEDGE ANCHOR W/NUT & WASHER S.S.	4	3	
16	H-SS 3/8 X 3 TAP	3/8" X 3" HEX HEAD TAP BOLT S.S.	4		
17	H-SS 5/16 BOLT	5/16 X 2 3/4" LADDER BOLT S.S.	6		
18	H-SS 5/16 F WAS	5/16" SAE FLAT WASHER S.S.	6		
19	H-SS 5/16 H NUT	5/16"HEX FINISH NUT S.S.	6		
20	H-VINYL NUT CAP	1-5/8" X 1/2" WHITE VINYL CAP	2		
21	H-ANTI-SEIZE	ANTI-SEIZE PACKET (NOT SHOWN)			1

HARDWARE NOTE:
Use a small dab of anti seize lubricant (included) on all bolt threads.

NOTES:

Zoomerang available in white only.
Zoomerang available in right turn only.

LIMITED WARRANTY

Inter-Fab, Inc. will repair or replace, at its option, any product manufactured by Inter-Fab, Inc. that fails during the applicable warranty period because of a manufacturing or material defect; provided that the defect is not the result of improper installation, improper use or care, negligence, alterations or modifications to the product, or natural accidents (acts of God). The applicable warranty period for products manufactured by Inter-Fab, Inc. is three (3) years from the date of retail purchase, except as specified below:

Echoes of Nature™ products are individually handcrafted and painted by skilled artisans and as a result, dimensional differences and color variations are normal and are not a basis for warranty coverage. The warranty period for pumps sold with the Echoes of Nature™ products is three (3) years from the date of retail purchase.

Water Sports™ sports equipment warranty periods are as follows: Volleyball Poles, Basketball Poles, Basketball Rim, and Basketball Backboard are one (1) year from date of retail purchase. Volleyball, Volleyball Net, Basketball, Basketball Net, and pumps are warranted for ninety (90) days from date of retail purchase.

Splash Rock™ Edgewater, **T7™** Edgewater™ and **Lighted Edgewater™** features warranty period is one (1) year from date of retail purchase.

Zoomerang™ slide products warranty period is one (1) year from the date of retail purchase.

Build Your Own Slide™ (BYOS™) warranty period is one (1) year from the date of retail purchase.

City 2™ Slide and **City Base™** products warranty period are one (1) year from the date of retail purchase.

Unless expressly stated otherwise all products manufactured by Inter-Fab are for **residential installation (single family residence)** inground pool use only. Inter-Fab, Inc. expressly disclaims any and all warranties and liability arising from the installation or use of its residential products for any non-residential use such as semi-public, public, or commercial applications. Products expressly manufactured for commercial installation and use will be subject to this limited warranty.

This limited warranty is in lieu of all other warranties, whether express or implied. Inter-Fab, Inc. disclaims any warranty of merchantability or fitness for a particular use, and noninfringement in relation to any of its products and Inter-Fab, Inc. is not liable for consequential, incidental or specific damages. This warranty is limited to the repair or replacement of the manufacturing or material defect, or refund of the original purchase price, whichever is less, at the sole option of Inter-Fab, Inc., and expressly does not cover any labor or reinstallation expenses related to the replacement of any and all Inter-Fab products. This limited warranty shall be the sole and exclusive remedy of irrespective of whether the claims are made in contract, tort, warranty, law, equity or by statute.

This warranty is to the original purchaser of the product only. Inter-Fab's limited warranty is neither transferable nor portable from consumer to consumer. The effective coverage date begins at the date of retail purchase. Product owner or representative must notify Inter-Fab, Inc. (or its wholesale agent) in writing, giving a full description of the nature of the product defect or failure along with proof of purchase, serial number(s) of the product and photos within thirty (30) days of the expiration of the applicable warranty period. Inter-Fab, Inc. reserves the right to physically inspect damaged or defective products or components to determine the cause of the damage or defect, prior to authorizing repair or replacement of its products.



3050 S. Alvernon Way • Tucson, AZ 85713

520.790.7040 • 800.737.5386 • Fax 520.790.7127 • inter-fab.com