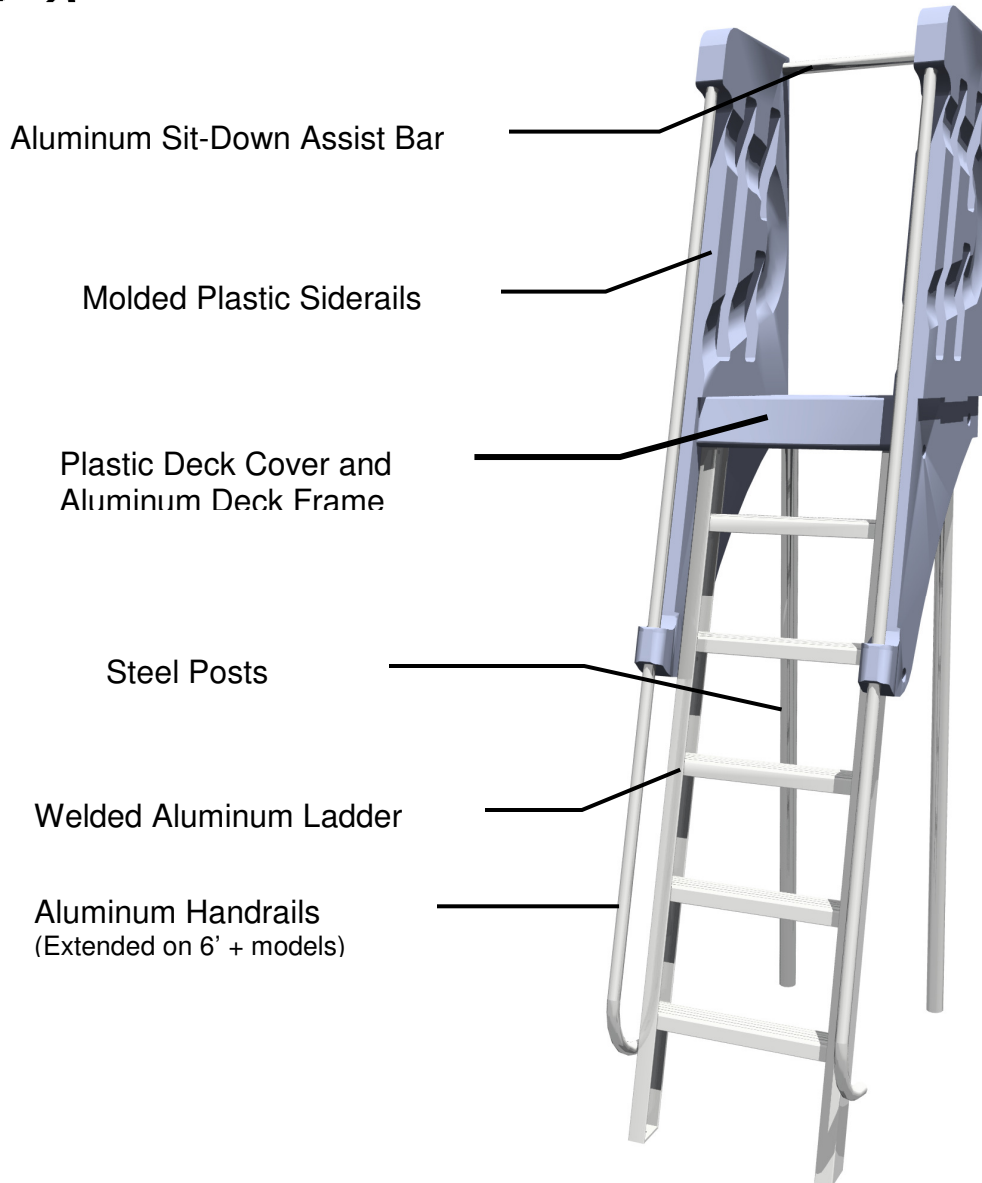




PARTS IDENTIFICATION FOR THE RAINIER and CASCADE LADDER



NOTE:
*Stainless steel threads gall easily. Use any lubricant
such as oil, wax, soap, threadlocking compound*

ASSEMBLING THE RAINIER or CASCADE LADDER SYSTEM

Layout and assemble the ladder on top of packaging material to avoid damaging paint.

1) Bolt the deck frame to the ladder using 2-1¼” Bolts w/2 washers each & NYLOC nuts (*lubricate*). (*Fig,1*)

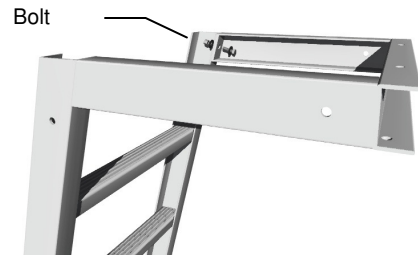


Fig. 1

2) Roll this assembly onto its side and install a 3” (Rainier) or 2” (Cascade) Post using a 1¼” Bolt and washer into the threaded insert in the Post. Leave the bolt loose so that the post will still rotate. It will be tightened in step #4)c.



Fig. 2

3) Now stand the unit on its feet and install the other Post. The unit should be self-supporting on 3 legs. (*Fig,2*)

4) The entire unit may now be bolted to the concrete with wedge anchors. Hammerdrill 3/8” holes 2” deep into the concrete. Use the included drawing or the ladder unit itself to mark the locations for the holes. Clean all debris from the holes before inserting the masonry anchors into the concrete.

a) Install the washers and nuts (*lubricate*) onto the Post anchors and secure them into the concrete. This provides a stud for the post mounting.

b) Set the ladder over the ladder anchors and secure with nuts and washers (*lubricate*).

c) Spin the posts onto the post anchors and, finally, tighten the post top bolts.

5) Set the plastic Deck Cover atop the unit. It will be held in place by the siderails.

6) Insert a 2½” Bolt w/washer into the Siderail hole closest to the slide (lower front hole), and then through the hole in the side of the deck frame (*lubricate*). The siderail will hang there, askew, while you install a washer and NYLOC nut finger tight. (*Fig,3*)

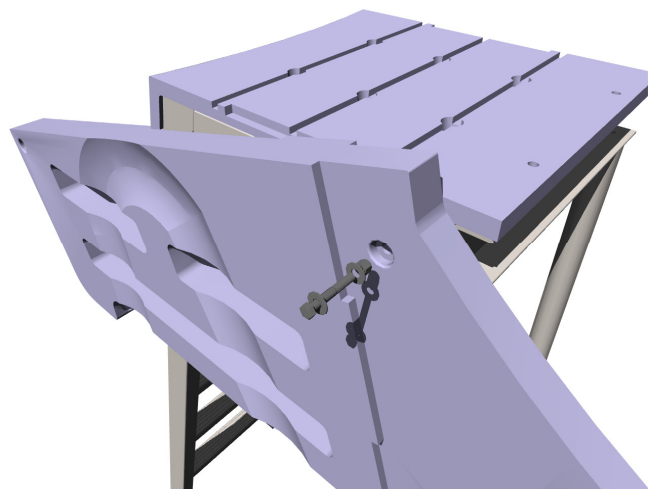


Fig. 3

7) Insert extended handrails (if used) into pre-drilled holes in the plastic siderails. Install 2-2½” Bolts w/washers and NYLOC nuts (*lubricate*), thru the siderail and into the ladder. Tighten all siderail bolts and install the other siderail in the same manner.

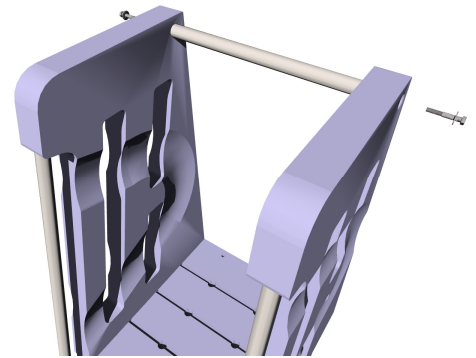
Fig. 4



8) Complete the extended handrail installation (if used) by installing ¾” Bolt w/washer through the ladder stile, into the threaded insert in the handrail. Repeat for the other side. To apply the remainder of the non-slip grip tape, clean the painted handrail surface first, with alcohol. (*Fig,4*)

9) Install Sit-Down bar using 3” Bolt w/washer thru the siderail and into the threaded insert in the bar. Each end of the Sit-Down Bar is cut at an angle, to match a corresponding angle in the siderail. This is intended to keep the bar from spinning. (*Fig,5*)

Fig. 5



10) Connect and adjust water.

11) The slide requires electrical bonding. Use the grounding lug provided. Install it to any convenient piece of metal on the ladder system. Connect it to your bonding grid with a minimum #8 copper wire, bare or insulated. (NEC 680-22)

Follow SLIDE INSTRUCTIONS to assemble the slide onto the Ladder System and complete the installation.



PARTS LIST FOR THE LADDER SYSTEM

* Indicates parts that may vary per model

Ladder	<i>Extruded Aluminum, Welded, Powder Coated</i>
Deck Frame	<i>Extruded Aluminum, Welded, Powder Coated</i>
Deck Cover	<i>Rotomolded Polyethylene</i>
Side Rails (2)	<i>Rotomolded Polyethylene</i>
*Handrails (2)	<i>Aluminum Tubing, Powder Coated</i>
*Posts (2)	<i>Galvanized Steel, Powder Coated</i>
Sit-Down Bar	<i>Aluminum Tubing, Powder Coated</i>



HARDWARE

1¼ bolt w/washers & NYLOC nut	(2)
<i>Deck frame to ladder</i>	
1¼ bolt w/washer	(2)
<i>Posts to deck frame</i>	
2½ bolt w/washers & NYLOC nut	(6)
<i>Siderail to ladder & deck Frame</i>	
3/8 x 3 S/S Masonry anchors	(4)
<i>Ladder & posts to surface</i>	
*¾ bolt w/washer	(2)
<i>Handrail to ladder (6' & 7' models)</i>	
3 bolt w/washer	(2)
<i>Sit-down bar to siderail</i>	
Aluminum ground lug w/TEK screw	
Touch-up paint	

Tools required:

Hammer drill or Rotohammer
 3/8" Masonry bit
 Ratchet handle & 9/16" socket
 9/16" Combination wrench
 5mm Allen hex key

NOTE:

Always lubricate S/S bolts with wax, oil, or soap to prevent thread galling