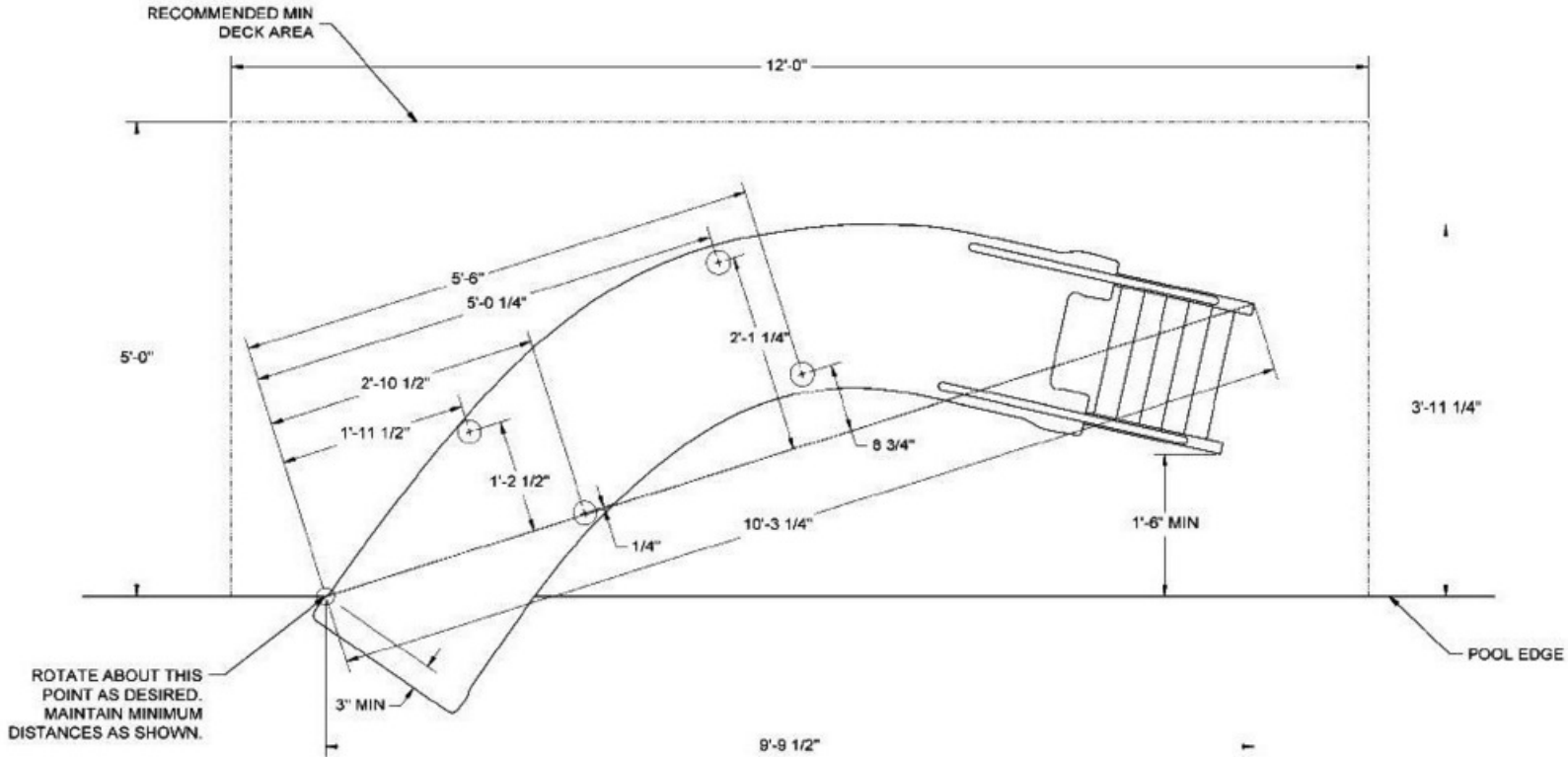


SLIDE POSITIONING INSTRUCTIONS:

CITY2 SWIMMING POOL SLIDE

DIAGRAM E - LEFT TURN SLIDE



NOTE: FINAL POSITION MUST ENSURE THAT ALL WATER FALLING OFF SLIDE LANDS IN POOL. DIMENSIONS MAY VARY FROM SLIDE TO SLIDE. IT IS RECOMMENDED THAT THE FULLY ASSEMBLED SLIDE BE USED AS A TEMPLATE FOR INSTALLATION.