

TurboTwister®



This thrill-ride pool slide is designed with curves and dips that guarantee hours of fun for the entire family.

- 8'7" in height (7'1⁵/₈" to seat)
- Available with a right or left curved flume
- Accommodates sliders up to 275 lbs/124kg
- Sturdy rotomolded construction for strength and durability
- Enclosed ladder and molded handrail design for maximum safety
- Designed for quick and easy assembly
- 25 gpm max. water delivery system can be plumbed through the pool's return line or connected to a garden hose
- Simple deck mounted installation
- Intended for in-ground residential swimming pools only

Slide Color



SANDSTONE*



GRAY GRANITE*

Due to printing technology, actual color may differ.

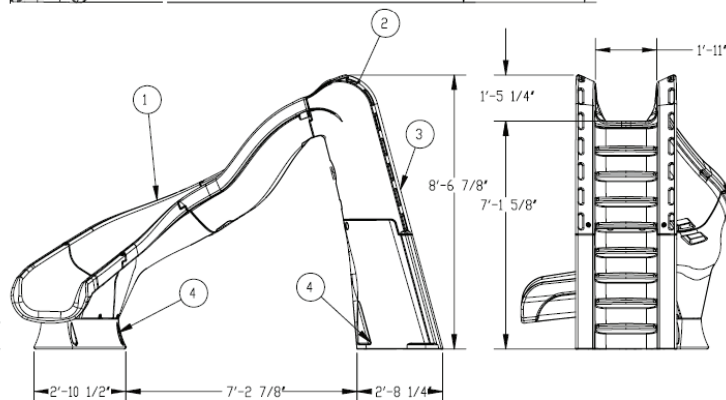
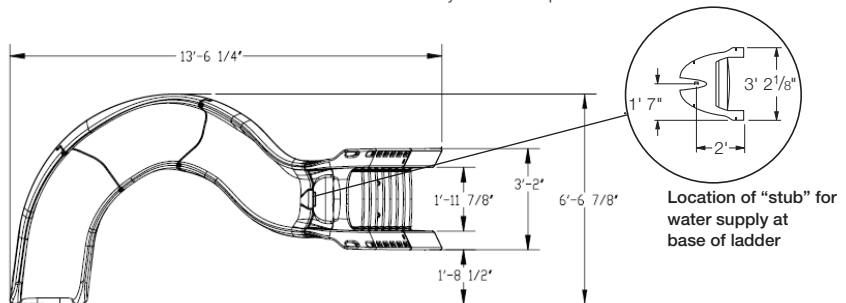
Adult supervision required at all times when children are using this slide.

Flume Details

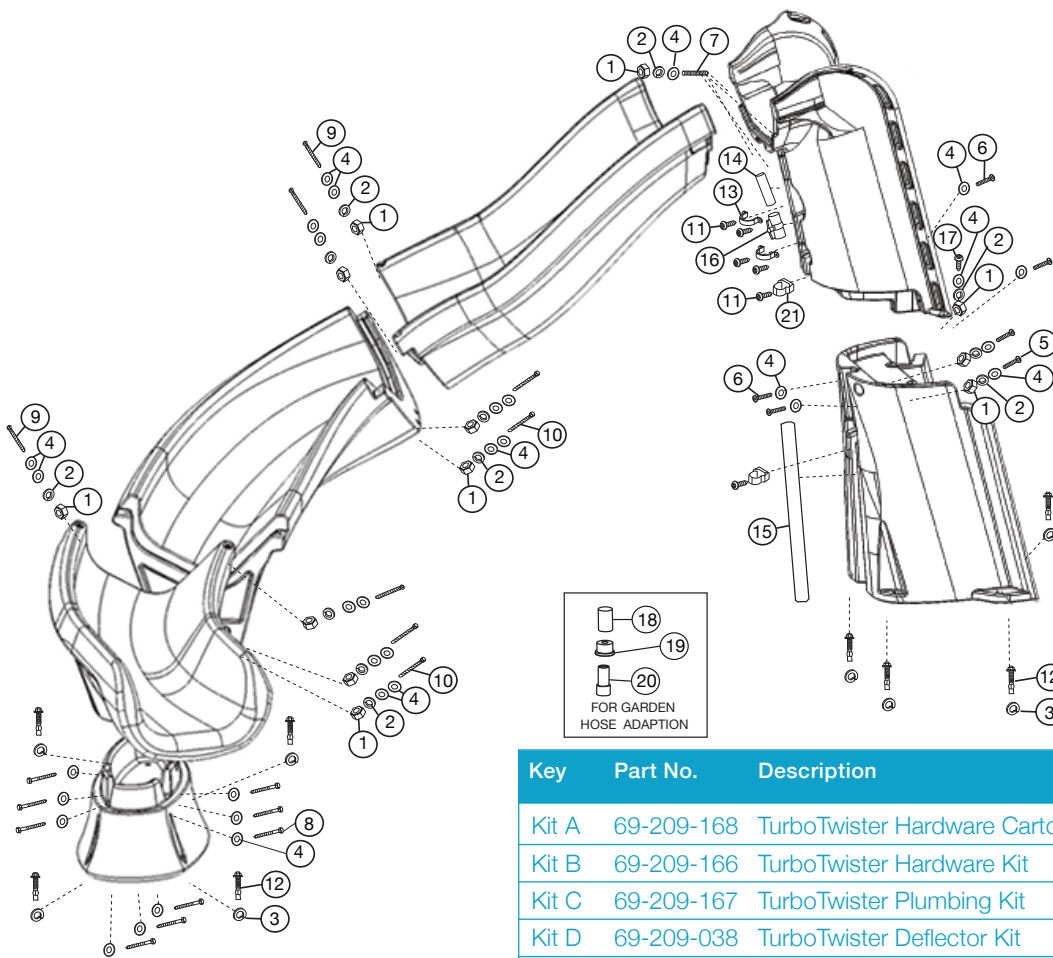


Model No.	Description	Shipping (2 pallets)			
		Weight	Length	Width	Height
688-209-58123	Sandstone*, Right Curve	Pallet 1 140 lbs 63kg	61" 154cm	40" 102cm	27" 69cm
688-209-58223	Sandstone*, Left Curve				
688-209-58124	Gray Granite*, Right Curve	Pallet 2 257 lbs 116kg	61" 154cm	40" 102cm	66" 168cm
688-209-58224	Gray Granite*, Left Curve				

* Gray Granite and Sandstone slides are not an exact match with Gray Granite or Sandstone diving boards & stands due to differences in material. Please consult your sales representative for more details.



All S.R.Smith, LLC swimming pool slides fully comply with Consumer Products Safety Commission (CPSC) mandatory safety Standard for Swimming Pool Slides (16 CFR 1207) and are certified by independent third party testing labs. The installer or end-user is responsible for complying with local building codes for the location, installation, construction or assembly of these slides. S.R.Smith, LLC makes no representations that the location, installation, construction or assembly of its slides meet local building codes.



Key	Part No.	Description	Kit A	Kit B	Kit C
Kit A	69-209-168	TurboTwister Hardware Carton – 2008 or newer slides			
Kit B	69-209-166	TurboTwister Hardware Kit			
Kit C	69-209-167	TurboTwister Plumbing Kit			
Kit D	69-209-038	TurboTwister Deflector Kit			
Kit E	69-209-120	Paver Kit (10" bolts)			
Kit F	69-209-121	Gasket Kit			
1		3/8" Hex Nut	•	•	
2		3/8" Lock Washer	•	•	
3		1/2" Lock Washer	•	•	
4		3/8" Flat Washer	•	•	
5		3/8" x 2 1/4" Carriage Bolt	•	•	
6		3/8" x 2 1/4" Button Head Cap Screw	•	•	
7		3/8" x 2 1/2" Stud	•	•	
8		3/8" x 3 1/2" Lag Screw	•	•	
9		3/8" x 5" Button Head Cap Screw	•	•	
10		3/8" x 6" Hex Head Cap Screw	•	•	
11		#14 Pan Head Tapping Screw	•	•	
12		1/2" x 5" Anchor Stud	•	•	
13		2 3/8" PVC Pipe Strap	•		•
14	05-789-2	Hose, Pre-flex 1.5" (15" length)			
15	05-789-1	Hose, Pre-flex 1.5" (66" length)			
16		1 1/2" Ball Valve	•		•
17		3/8" x 3 1/4" Button Head Cap Screw	•	•	
18		1 1/2" Coupling	•		•
19		1 1/2" x 3/4" Reducer	•		•
20		Garden Hose Adapter	•		•
21		1 1/2" Pipe Clamp	•		•
	4-610	3 1/4" x 24 1/2" Plastic Shim			
	8-545A	Ladder/Runway Gasket			
	8-532	Runway Gasket	•		