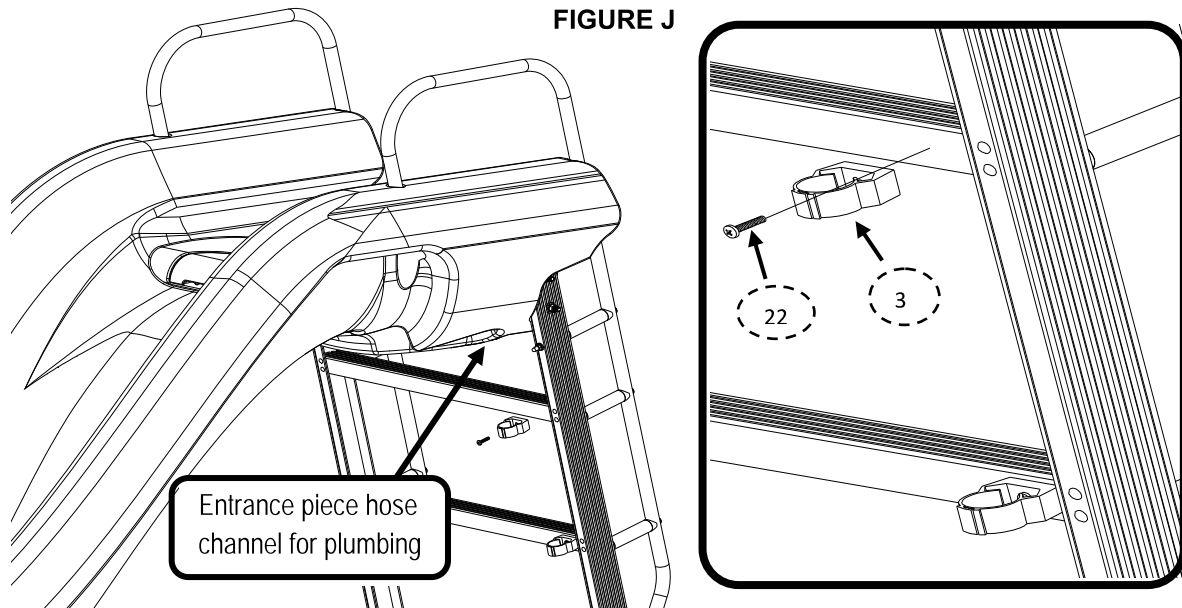
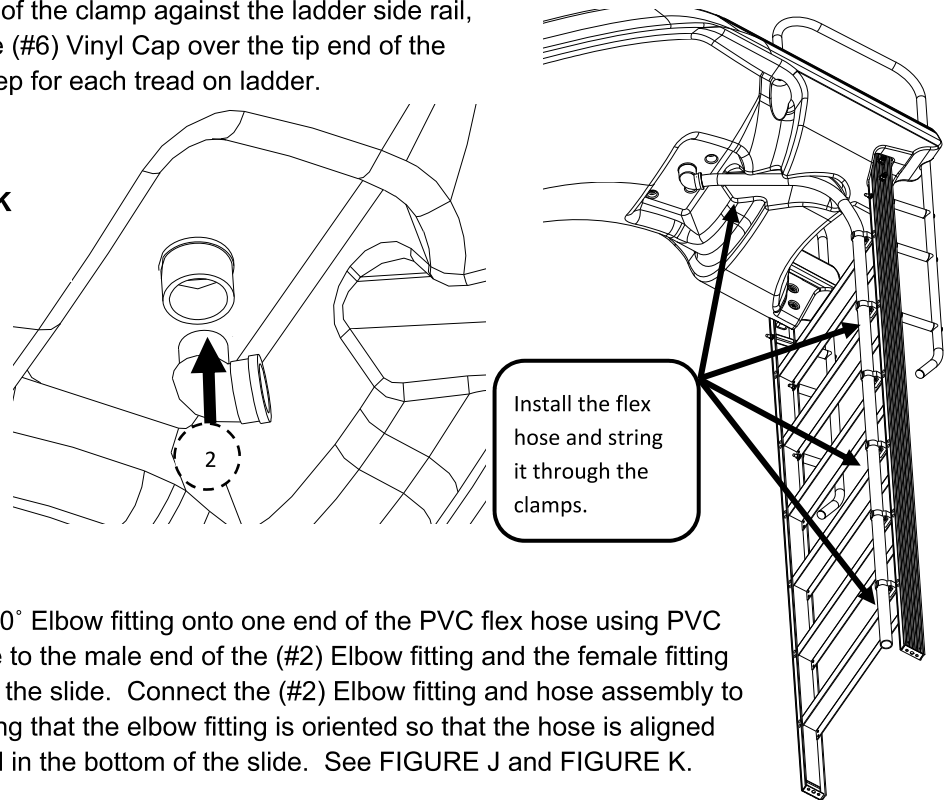


SLIDE PLUMBING INSTRUCTIONS



1. Use a drill with a Phillips bit to fasten the (#3) Plastic Pipe Clamp to the ladder as shown below in Figure 12. The hose clamp should be attached with the top of the clamp aligned with the top of the step and the side of the clamp against the ladder side rail, See FIGURE J. Place (#6) Vinyl Cap over the tip end of the screw. Repeat this step for each tread on ladder.

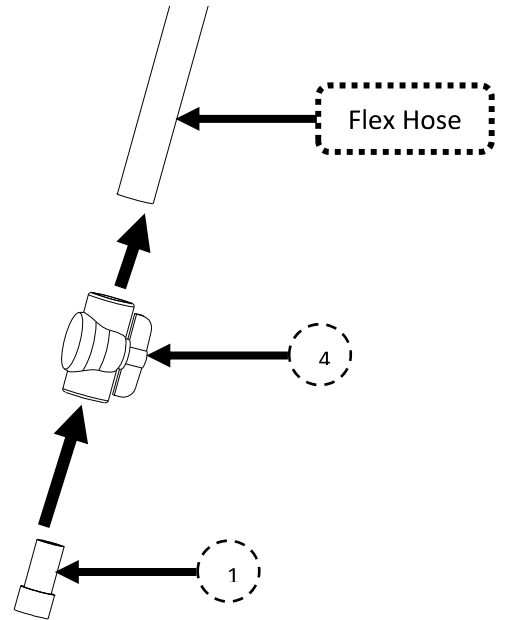
FIGURE K



2. Install the (#2) PVC 90° Elbow fitting onto one end of the PVC flex hose using PVC glue. Next apply glue to the male end of the (#2) Elbow fitting and the female fitting that is pre-installed in the slide. Connect the (#2) Elbow fitting and hose assembly to the slide while ensuring that the elbow fitting is oriented so that the hose is aligned with the hose channel in the bottom of the slide. See FIGURE J and FIGURE K.

3. Starting with the top hose clamp, insert the PVC hose into the clamps. The clamps automatically tighten when pressure is applied pushing the hose into the clamps.
4. Apply PVC glue to one socket of the (#4) PVC Ball Valve and insert the PVC hose into the valve as shown in FIGURE L. Allow the glue sufficient time to dry. The final step is joining the PVC Ball Valve to the water source.

FIGURE L



GARDEN HOSE ADAPTOR INSTALLATION INSTRUCTIONS

If connecting the Rogue2 water system to the pool plumbing system is not an option you may connect the water system to a garden hose by following the steps outlined below.

1. Make sure that the Rogue2 water system has been properly assembled as explained in the Rogue2 Installation Instructions. Next, apply PVC glue around the end of the garden hose adaptor indicated by the arrow in FIGURE M.
2. After the glue is applied quickly insert the PVC fitting into one end of PVC ball valve as shown in FIGURE N
3. The final step is to thread a garden hose into the PVC garden hose adapter.
4. After connecting the water source to the ball valve, turn on water slowly to check for leaks



FIGURE M

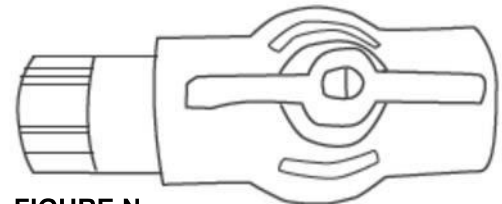


FIGURE N

ELECTRICAL BONDING

If electrical bonding is required by the local governmental regulations, it shall be done in accordance with Article No. 680 of the current National Electrical Code or the local Code, whichever has jurisdiction. Five (#24) 1/4" x 1/2" Sheet Metal Screws and five (#10) 1/4" x 3/4" Flat Washers are provided for this purpose. Secure one per slide leg and one per ladder.